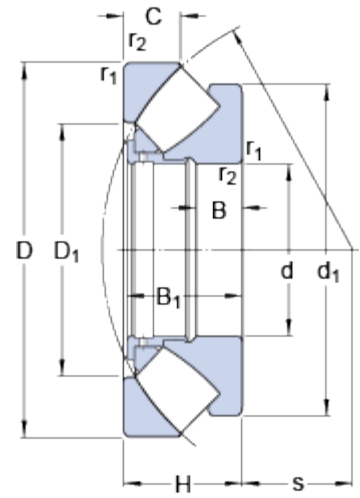


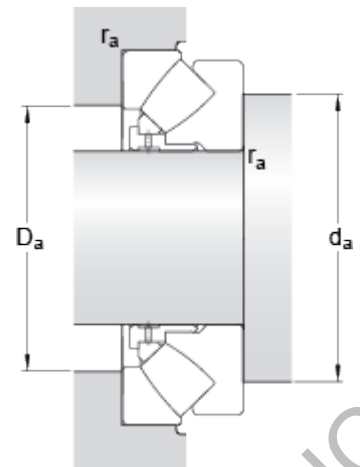
29248

Dimensions



d	240	mm
D	340	mm
H	60	mm
d_1	≈ 330	mm
D_1	≈ 283	mm
B	19	mm
B_1	57	mm
C	30	mm
s	130	mm
$r_{1,2}$	min. 2.1	mm

Abutment dimensions



d_a	min. 290	mm
D_a	max. 308	mm
r_a	max. 2	mm

Calculation data

Basic dynamic load rating	C	799	kN
Basic static load rating	C_0	3450	kN
Fatigue load limit	P_u	335	kN
Reference speed		1100	r/min
Limiting speed		1800	r/min
Minimum axial load factor	A	1.1	

Mass

Mass bearing		16.5	kg
--------------	--	------	----